



# COLIBRÌ **CB**

## DC SERVODRIVE FOR DC SERVOMOTORS

**COLIBRÌ (CB) are four quadrant bi-directional servodrives for controlling of DC servomotors up to 3.5Nm with two speed feedback modalities:**

- Armature
- Tachogenerator

**COLIBRÌ (CB) are available in two different versions, to control Servomotors with armature voltage from 20 to 110VDC**

### MAIN FEATURES

Competitive Price  
 Ultracompact dimensions  
 Control of motors up to 3,5 Nm  
 SMT Technology  
 Power Mosfet bridge  
 Operating temperature 0-40°C  
 DC supply

### STANDARD FEATURES

Acceleration and deceleration ramp adjustable  
 Torque control  
 Speed feedback in two modalities:
 

- Armature
- Tachogenerator

 Signal of Drive-OK with transistor open collector  
 Adjustable zero offset  
 Fine Adjust of max speed  
 Adjustable proportional gain



### OPTIONAL FUNCTIONS

PWM + DIR mode

### TECHNICAL FEATURES

Differential speed reference  $\pm 10V$   
 Input impedance 22K $\Omega$   
 Enable signals: +5 to 30 VDC  
 Frequency of PWM 20KHz  
 Motor current check Test Point  $\pm 5V$   
 (Peak Current)

### PROTECTIONS

Short-circuit of motor  
 Power supply overvoltage  
 Power supply undervoltage  
 Heatsink overtemperature  
 Rated current limit

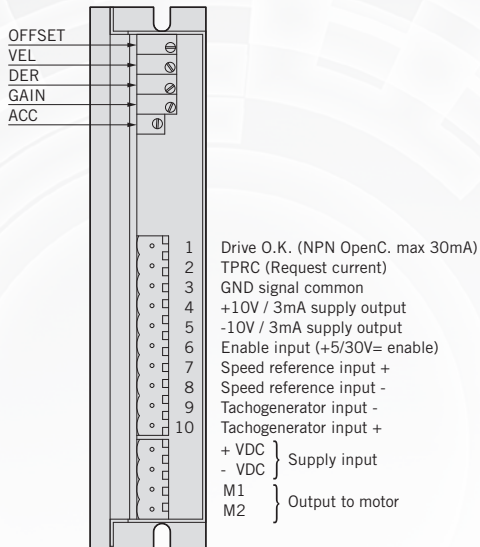


MODEL	CB060				CB110			
Size	1/2	2.5/5	6/12	10/20	1/2	2.5/5	6/12	10/20
Rated Current (A)	1	2.5	6	10	1	2.5	6	10
Rated current for 2" (A)	2	5	12	20	2	5	12	20
DC power supply Min/Max (V)	20-80				30-130			

# COLIBRÌ CB

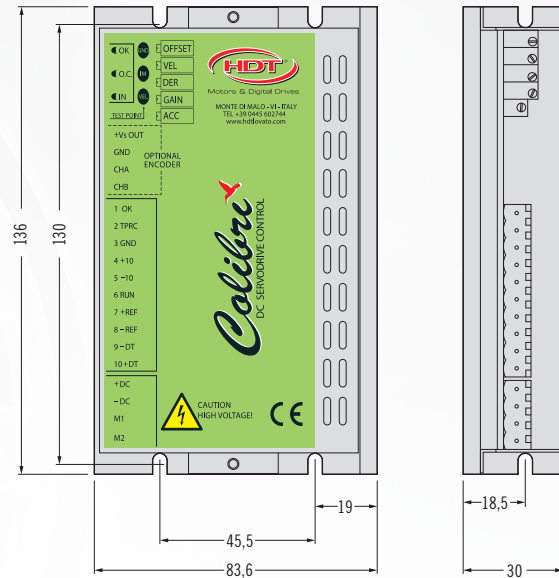
## DRIVE FOR DC SERVOMOTORS

### SIGNAL AND POWER CONNECTIONS



### OVERALL DIMENSIONS

mm

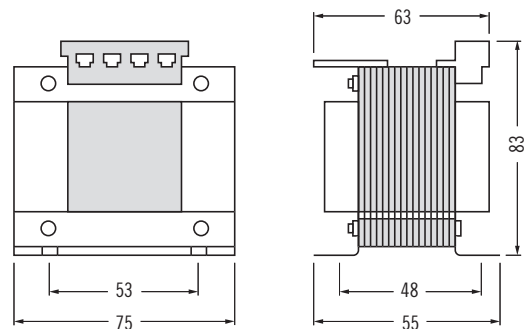


### INDUCTANCES

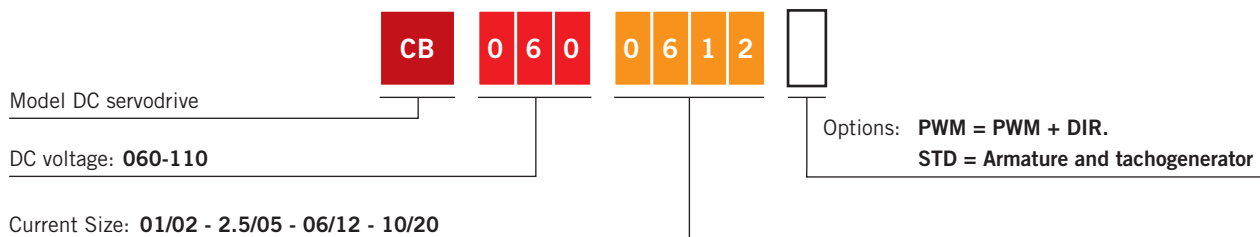
mm

When the motor has an inductance less than 1mH, an additional inductor must be connected between the motor and the drive. For Colibrì (CB) are available 3 type of inductances, depending on the size of the drive.

CODE	TYPE OF INDUCTANCE	MOTOR RATED CURRENT	INDUCTOR RATING
IM3A2	L4	≤ 3A	2mH 3A
IM6A2	L5	≤ 6A	2mH 6A
IM11A2	L2	≤ 11A	2mH 11A



### ORDER CODE FOR COLIBRÌ (CB)



EXAMPLE: **CB 060-06 12 STD** Colibrì 60V - 6An./12Ap. - Feedback from tachogenerator

\* : for Tachogenerator voltage and Encoder pulses selection please follows Colibrì Manual instructions. To order Colibrì already set by factory please follows indication in the Colibrì Manual.